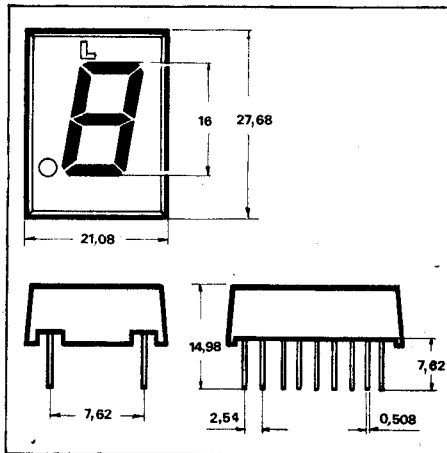


**DL747 and DL750
Seven Segment Displays**

FEATURES

- Large character height (0.6")
- High light output
- Low cost, light pipe construction
- I.C. power supply compatible
- Dual in line package

DIMENSIONS



MAXIMUM RATINGS

Power dissipation at $T_A=25^\circ\text{C}$	960mW
Continuous Forward current. Total	240 mA
Per segment or decimal	30 mA
Peak inverse voltage per segment or decimal	6.0V
Operating temperature range	-20°C to 100°C

REFERENCE TABLE

Device	Polarity	Stock No.
DL747	Common Anode	34606X
DL750	Common Cathode	34882D



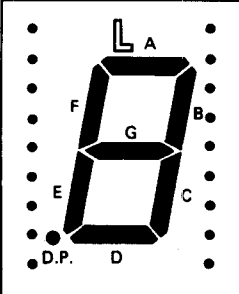
OPTO-ELECTRONIC CHARACTERISTICS @ $T_A=25^\circ\text{C}$

Parameter	Min.	Typ.	Max.	Unit	Test Condition
Luminous Intensity	2.0	5.0		mcd	$I_F=20\text{mA}$
Emission Peak Wavelength		650		nm	
Spectral Line Half-width		40		nm	
Forward Voltage (Segment)		3.4	4.0	V	$I_F=20\text{mA}$
(Decimal)		1.6	2.0	V	$I_F=20\text{mA}$
Dynamic Resistance (Segment)		11.0		Ω	$I_F=20\text{mA}$
(Decimal)		5.5		Ω	$I_F=20\text{mA}$
Reverse Leakage (Segment)			100	μA	$V_R=6.0\text{V}$
(Decimal)			100	μA	$V_R=3.0\text{V}$
Capacitance (Segment)		50		pF	$V_R=0\text{V}$
(Decimal)		115		pF	$V_R=0\text{V}$

Continued on next page

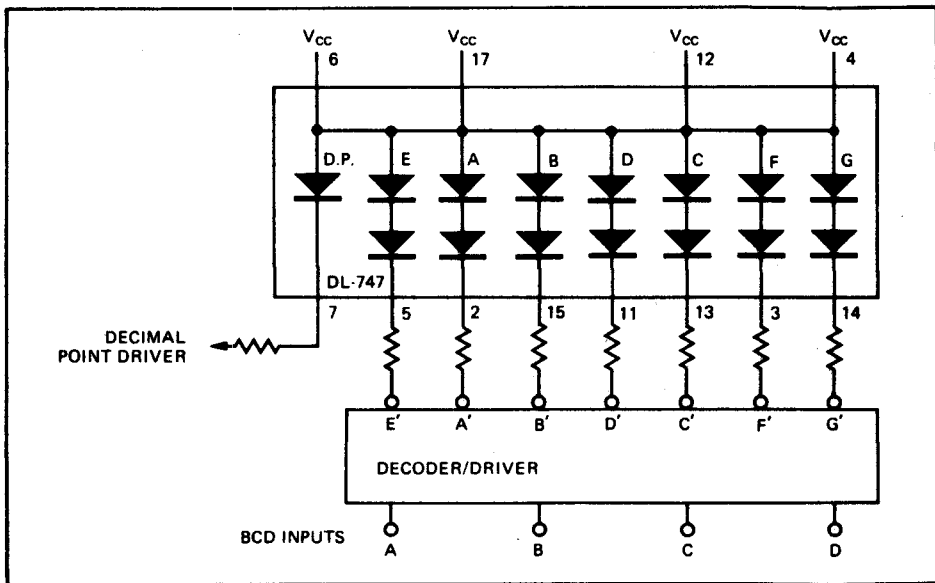
PLEASE QUOTE STOCK NO. AND MANUFACTURER'S CODE WHEN ORDERING

CONNECTION DIAGRAM



PIN	DL-747	DL-750
1	OMITTED	NC
2	CATHODE A	ANODE A
3	CATHODE F	ANODE F
4	COMMON ANODE	COMMON CATHODE
5	CATHODE E	ANODE E
6	COMMON ANODE	COMMON CATHODE
7	D.P. CATHODE	D.P. ANODE
8	NC	NC
9	OMITTED	NC
10	OMITTED	NC
11	CATHODE D	ANODE D
12	COMMON ANODE	COMMON CATHODE
13	CATHODE C	ANODE C
14	CATHODE G	ANODE G
15	CATHODE B	ANODE B
16	NC	NC
17	COMMON ANODE	COMMON CATHODE
18	OMITTED	NC

TYPICAL DRIVE CIRCUITRY



MANUFACTURER'S CURRENT LIST PRICES ARE ALWAYS CHARGED