

# A02 SERIES

## ILLUMINATED OR NON-ILLUMINATED PUSHBUTTON SWITCHES

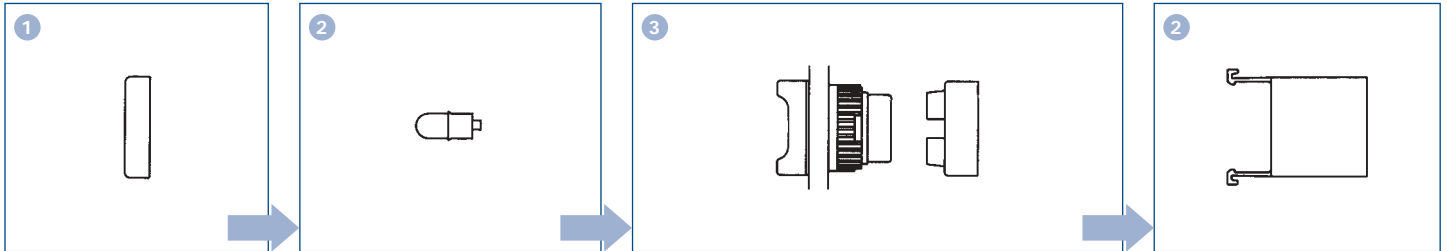
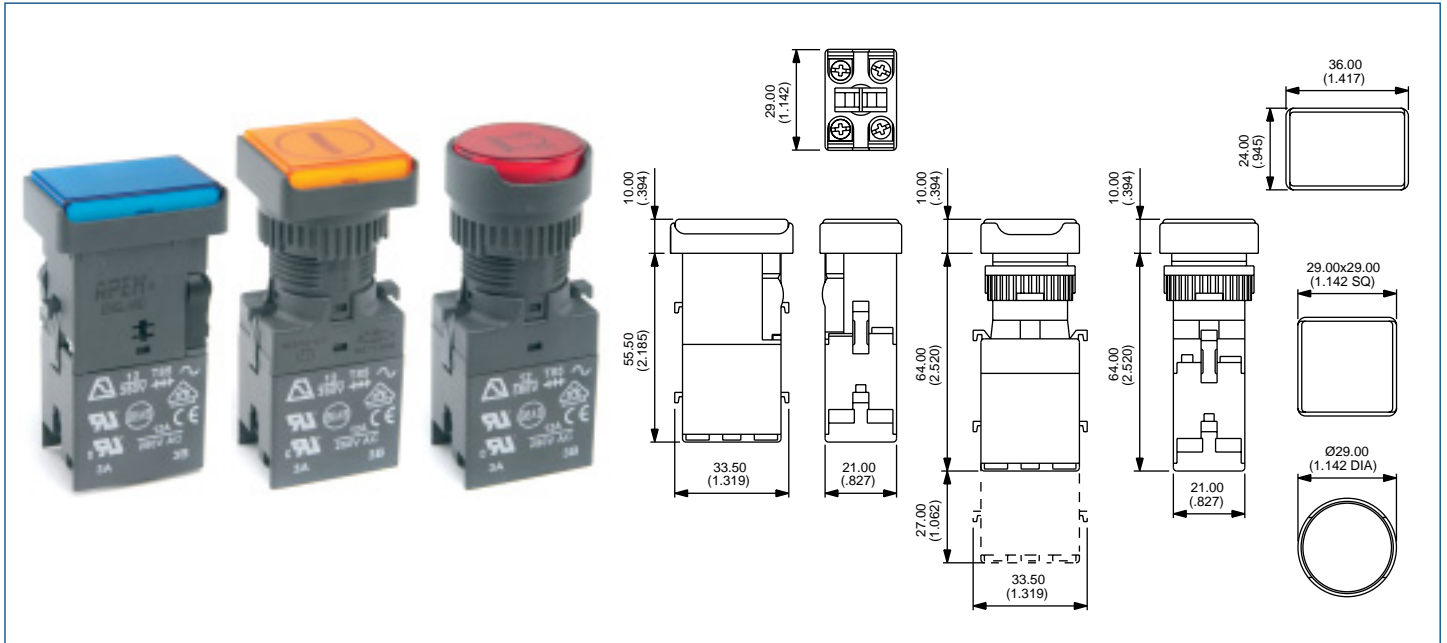
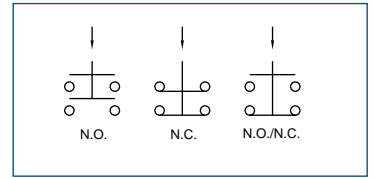
Panel cut-out Ø22 or 29.5 x 21.5

### A pushbutton assembly requires:

screen + lamp (if illuminated) + operator + one or two switchblocks

To order these elements, select desired model numbers from tables below.

**Example:** IP65 rectangular maintained pushbutton, switch blocks with 2 N.O. contacts, red screen and 12V red LED assembly = A0261B, A0242J1, A0201X and A02503.



### Screen

Bezel	Colour	Part No
<input type="checkbox"/>	black	A0261A
<input type="checkbox"/>	red	A0261B
<input type="checkbox"/>	amber	A0261C
<input type="checkbox"/>	yellow	A0261D
<input type="checkbox"/>	green	A0261E
<input type="checkbox"/>	blue	A0261F
<input type="checkbox"/>	clear	A0261G
<input type="checkbox"/>	white	A0261J
<input type="checkbox"/>	black	A0262A
<input type="checkbox"/>	red	A0262B
<input type="checkbox"/>	amber	A0262C
<input type="checkbox"/>	yellow	A0262D
<input type="checkbox"/>	green	A0262E
<input type="checkbox"/>	blue	A0262F
<input type="checkbox"/>	clear	A0262G
<input type="checkbox"/>	white	A0262J
<input type="checkbox"/>	black	A0263A
<input type="checkbox"/>	red	A0263B
<input type="checkbox"/>	amber	A0263C
<input type="checkbox"/>	yellow	A0263D
<input type="checkbox"/>	green	A0263E
<input type="checkbox"/>	blue	A0263F
<input type="checkbox"/>	clear	A0263G
<input type="checkbox"/>	white	A0263J

### Lamp

Lamp	Voltage	Part No
Filament	6.3V	A0141A
Filament	14V	A0141B
Filament	28V	A0141C
Filament	36V	A0141D
Filament	48V	A0141E
Filament	60V	A0141F
Neon	110V	A0143G
Neon	220V	A0143H
LED lamp	model numbers	see Pages 6&7
Special LED Assemblies		
LED assy	6V	A0242H*
LED assy	12V	A0242J*
LED assy	24V	A0242K*
LED assy	6V	A0243H*
LED assy	12V	A0243J*
LED assy	24V	A0243K*
LED assy	6V	A0244H*
LED assy	12V	A0244J*
LED assy	24V	A0244K*
NB Replace * with colour code		
for LED assemblies:		
	1:	red
	2:	green
	3:	amber

### Operator

Bezel	Description	Lamp type	Part No
<input type="checkbox"/>	illum, momentary	Lamp/LED bulb	A0201Y
<input type="checkbox"/>	illum, maintained	Lamp/LED bulb	A0201X
<input type="checkbox"/>	illum, momentary	Special LED assy	A0202Y
<input type="checkbox"/>	illum, maintained	Special LED assy	A0202X
<input type="checkbox"/>	Non-illum, momentary		A0203Y
<input type="checkbox"/>	Non-illum, maintained		A0203X
<input type="checkbox"/>	illum, momentary	Lamp/LED bulb	A0204Y
<input type="checkbox"/>	illum, maintained	Lamp/LED bulb	A0204X
<input type="checkbox"/>	illum, momentary	Special LED assy	A0205Y
<input type="checkbox"/>	illum, maintained	Special LED assy	A0205X
<input type="checkbox"/>	Non-illum, momentary		A0206Y
<input type="checkbox"/>	Non-illum, maintained		A0206X
<input type="checkbox"/>	illum, momentary	Lamp/LED bulb	A0207Y
<input type="checkbox"/>	illum, maintained	Lamp/LED bulb	A0207X
<input type="checkbox"/>	illum, momentary	Special LED assy	A0208Y
<input type="checkbox"/>	illum, maintained	Special LED assy	A0208X
<input type="checkbox"/>	Non-illum, momentary		A0209Y
<input type="checkbox"/>	Non-illum, maintained		A0209X

### Switch block

Contacts	Part No
1 N.O.	A02501
1 N.C.	A02502
2 N.O.	A02503
2 N.C.	A02504
1 N.O./1 N.C.	A02505

### Second switch block

Contacts	Part No
1 N.O.	A02506
1 N.C.	A02507
2 N.O.	A02508
2 N.C.	A02509
1 N.O./1 N.C.	A02510

To achieve 3 or 4 pole switching, add second switch block from above table.

**Unsealed switches (IP40):** add '01' to end of operator model number

**White or Blue LED Assembly:**  
contact APEM Components

**Screen engraving/insertable legends:**  
contact APEM Components

Bezel:  rectangular  square  round. 'illum' - illuminated, 'Non-illum' - non illuminated