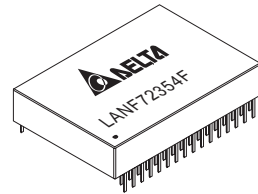




QUAD FILTER MODULES IN 4-PORT PACKAGE

Networking Components

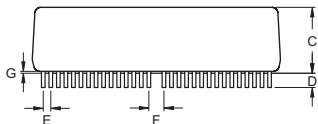
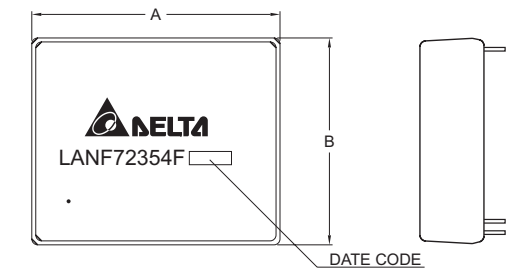


ELECTRICAL CHARACTERISTICS @25°C

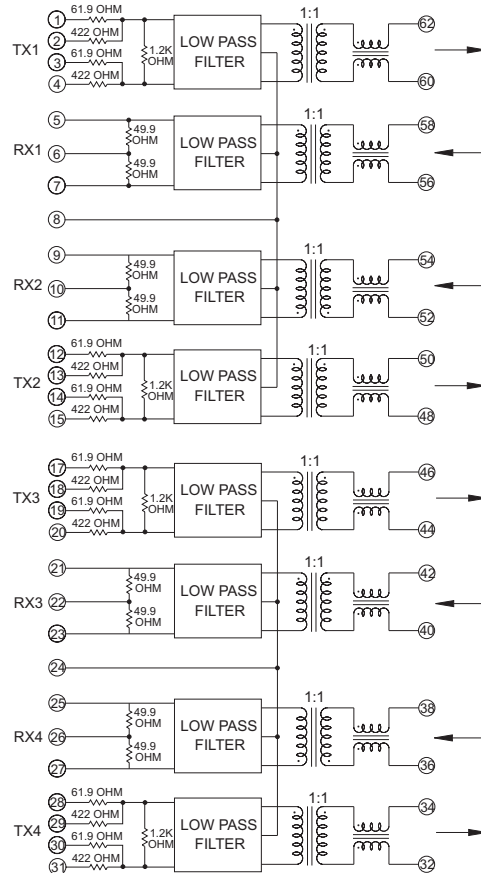
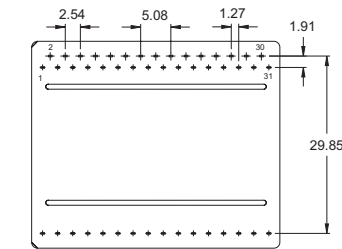
Hi-Pot Test @60Sec, 1500Vrms							
Model	Insertion Loss (dB Max)	Attenuation TX (dB Min) RX		Return Loss 5-10MHz (dB Min)		Com. To Com. Mode Rejection TX (dB Min) RX	
		LANF72354F	-1.0 (1-10MHz)	-7 (20MHz) -19 (25MHz) -32 (30MHz) -35 (40MHz)	-6 (20MHz) -14 (25MHz) -20 (30MHz) -26 (35MHz) -31 (40MHz)	100 Ohm -18	98±13 Ohm -15

MECHANICAL CONSTRUCTION

SCHEMATICS



UNIT : mm/inch  
 A = 42.60 ± 0.254 / 1.677 ± 0.010  
 B = 33.80 ± 0.254 / 1.331 ± 0.010  
 C = 10.10 ± 0.254 / 0.398 ± 0.010  
 D = 3.2 ± 0.30 / 0.126 ± 0.012  
 E = 1.27 / 0.050 (TYP)  
 F = 2.54 / 0.100 (TYP)  
 G = 0.25 ± 0.127 / 0.010 ± 0.005



DELTA ELECTRONICS, INC.

(TAOYUAN PLANT CPBG) 252, SAN YING ROAD, KUEI SAN INDUSTRIAL ZONE, TAOYUAN SHIEN, TAIWAN, R.O.C.  
 TEL: 886-3-3591968; FAX: 886-3-3591991  
 Http://www.deltaww.com/products/networking