



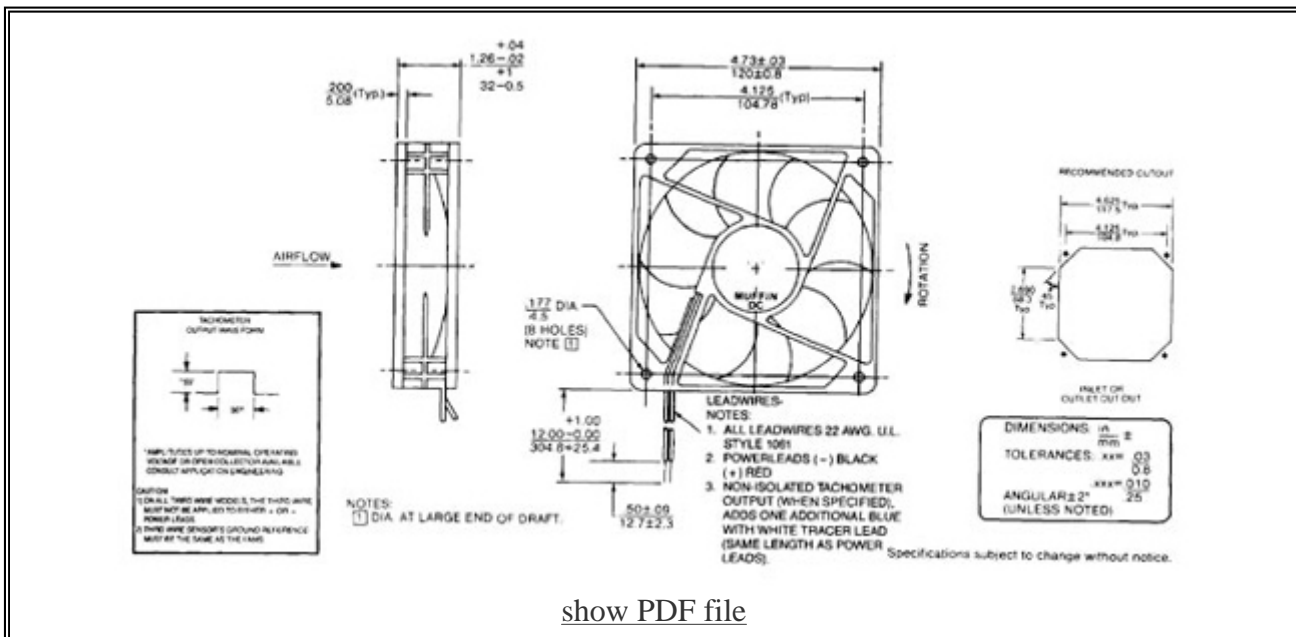
Muffin DC (DC Fan)



COMAIR ROTRON PART NUMBER: **031948**
 COMAIR ROTRON MODEL NUMBER: **MC48B0X**

MOTOR	
Rated Voltage:	48
Operating Voltage Range:	24 - 56
Running Current: 50Hz 60Hz (amps)	
Locked Rotor Current: (amps)	0.45
Rated Power: 50Hz 60Hz (watts)	
Nominal Speed: 50Hz 60Hz (rpm)	

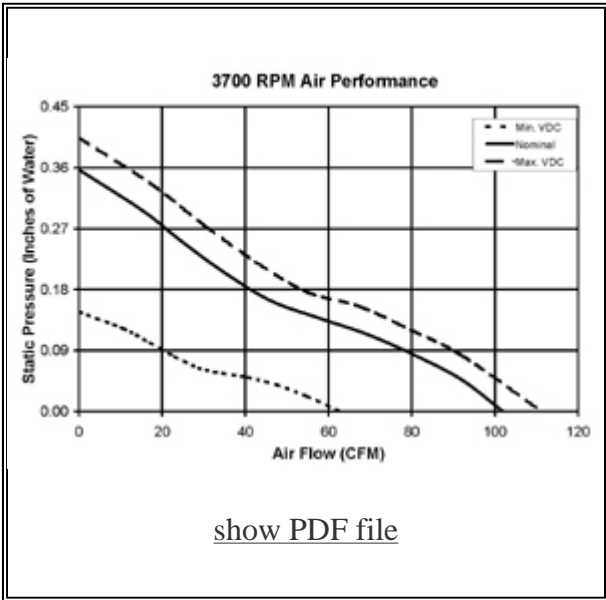
MECHANICAL	
Dimensions:	120mm x 32mm (4.72in x 1.25in)
Bearing Type:	Ball
Motor Base:	Polycarbonate
Propeller:	Polypropylene



[show PDF file](#)

NOTES





5 Volt TTL Tachometer Output, Two Pulses per Revolution, Harness Assembly, Special OEM Packaging



PERFORMANCE CHARACTERISTICS	
Air Flow: (CFM)	102
Static Pressure:	.357

TERMINATION	
Leadwires:	27" Harness Assembly

SAFETY

All product names are used under license and are trademarks or registered trademarks of Comair Rotron, Inc.

[New Search](#)

